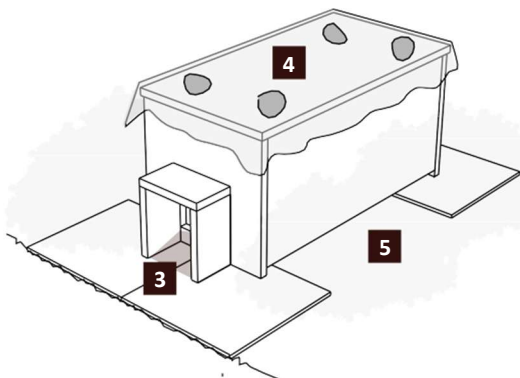
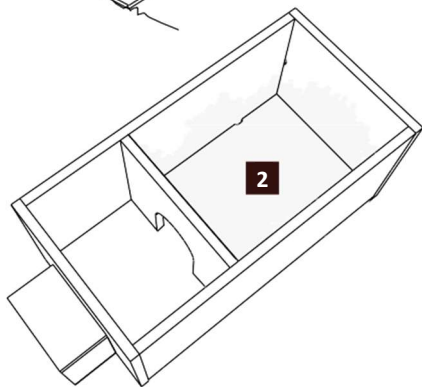
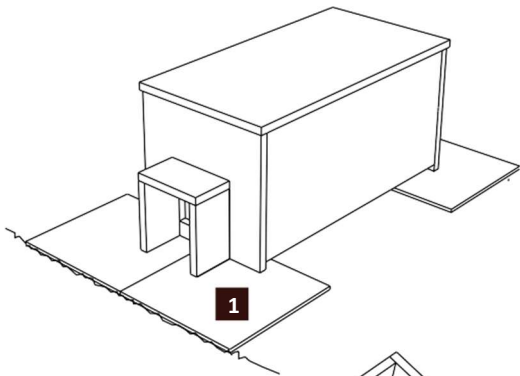


Type	No.	Material	Weight	Dimensions (L x W x H)	Required materials (not supplied)
Hedgehog box	EGLT1	Water-resistant plywood 18 mm	15 kg	85 x 36 x 32 cm	1x bucket of dry leaves, 4x paving slabs 30 x 30 cm, 1x piece of strong plastic 100 x 50 cm



Installation instructions

- 1 Select a dry, dark spot under a large shrub in a quiet part of the garden. Set four paving slabs (or another hard surface) slightly into the ground. Place the box on top.

*The box can also be placed directly on dry ground, but placing it on slabs increases its service life.

- 2 Fill the inside of the box approximately halfway with dry leaves and/or paper shreds. Make sure the material is completely dry, otherwise mould can form quickly.

- 3 Finish the entrance with a little sand/leaves to reduce the step.

- 4 Optionally place a piece of tarp over the box and secure it with stones.

- 5 Finish around the box with dry leaves/branches so that it blends into the garden as much as possible. Ensure sufficient ventilation around the box, otherwise this will affect the service life of the box.



Project-specific requirements and the Dutch Decree on Buildings in the Living Environment (Bbl)

Project-specific requirements and the guidelines of the Dutch Decree on Buildings in the Living Environment (Bbl) must be followed at all times.



Construction

Specific situations, building systems or prefabricated structures must always be handled in consultation with, and on the advice of, the manufacturer and the project-specific consultant. This includes advice on construction, fire safety and building physics.



Inspection and repair

Check for any damage to and around the provision. Repair any damage.