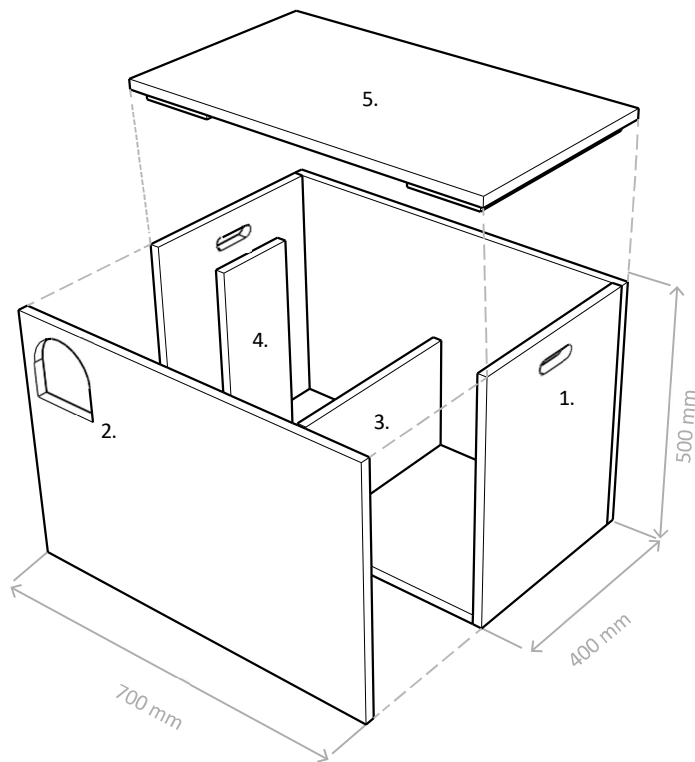


## KULT1 | Barn owl nest box

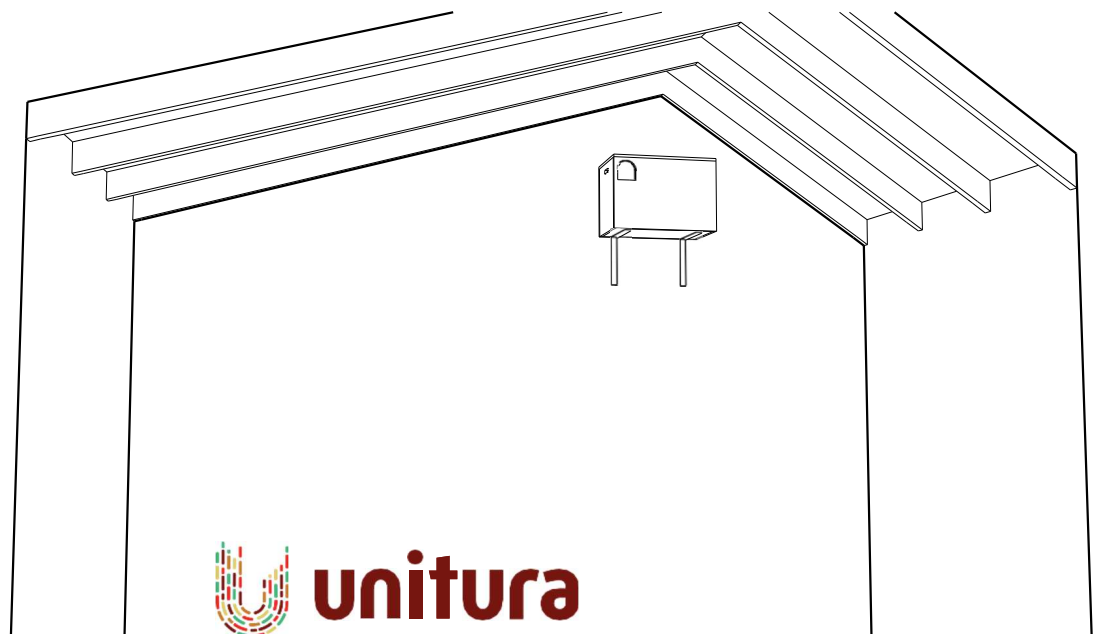


1. Handle
2. Entrance hole
3. Partition shelf, nesting compartment, 220 mm high
4. Panel, darkening, 150 mm deep
5. Removable roof

Type	No.	Material	Weight	Colour	Dimensions (L x W x H)
Barn owl nest box	KULT1	Water-resistant plywood 18 mm	12 kg	Natural/timber colour	70 x 44 x 49 cm

## Placement options

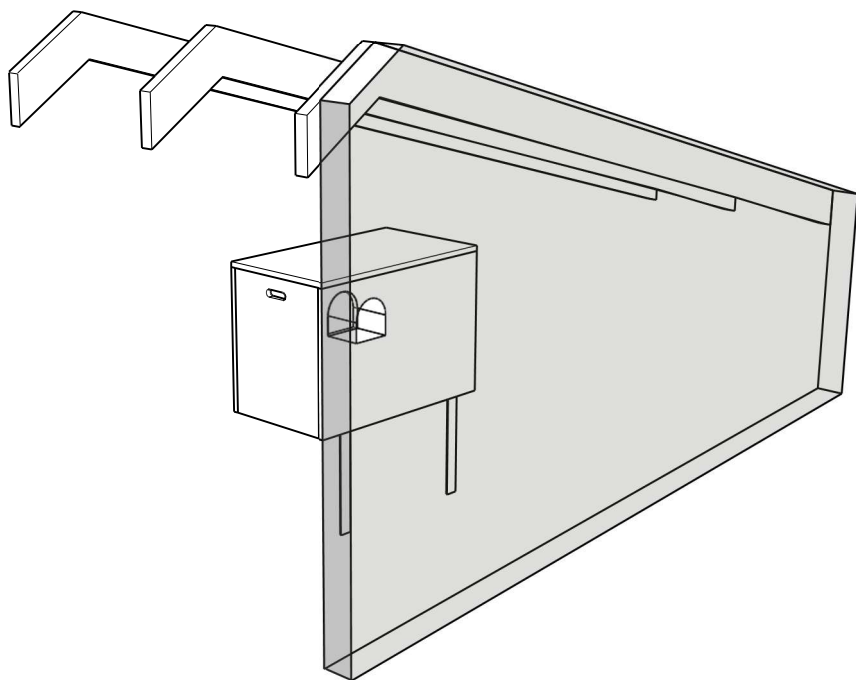
**A** Inside a building: when installing inside a building, secure the box to the wall using angle brackets. Use screws that penetrate the box by no more than 12 mm. Instead of wall mounting, it is also possible to mount the box on a beam or use a suspended structure, to be determined.



## Placement options

**B** Installation with an opening in the wall: If the box is to be made accessible through an opening in the wall, ensure that the wall opening is approximately the same size as the box opening and that the box fits closely all around.

Secure the box to the wall using angle brackets. Use screws that penetrate the box by no more than 12 mm.



## Additional advice and maintenance



### Project-specific requirements and the Dutch Decree on Buildings in the Living Environment (Bbl)

Project-specific requirements and the guidelines of the Dutch Decree on Buildings in the Living Environment (Bbl) must be followed at all times.



### Construction

Specific situations, building systems or prefabricated structures must always be handled in consultation with, and on the advice of, the manufacturer and the project-specific consultant. This includes advice on construction, fire safety and building physics.



### Inspection and repair

Check for any damage to and around the provision. Repair any damage.