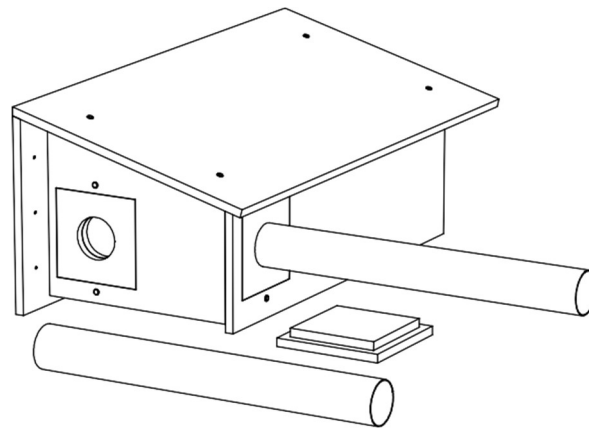


## MRTT1 | Beech marten box

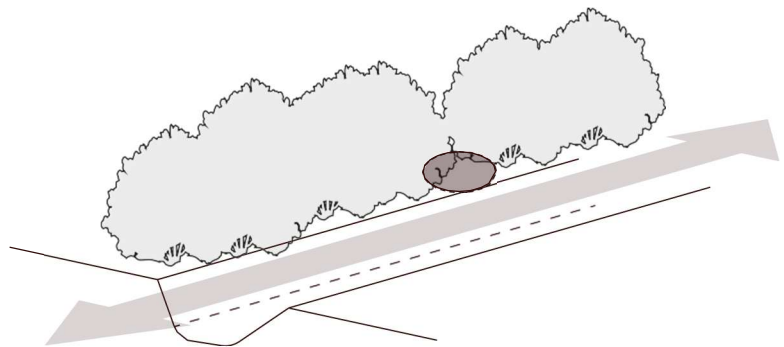


| Type             | No.   | Material                      | Weight | Dimensions (L x W x H) | Components   | Required materials (not supplied)   |
|------------------|-------|-------------------------------|--------|------------------------|--|---|
| Beech marten box | MRTT1 | Water-resistant plywood 18 mm | 6 kg   | 110 x 56 x 44 cm       | 2x PVC tube 11 x 75 cm<br>2x tube insert panel<br>1x closed insert panel | 2 m <sup>3</sup> of branches<br>8x paving slabs 30 x 30 cm<br>1x strong tarp 125 x 75 cm<br>3 handfuls of hay |

## Installation instructions

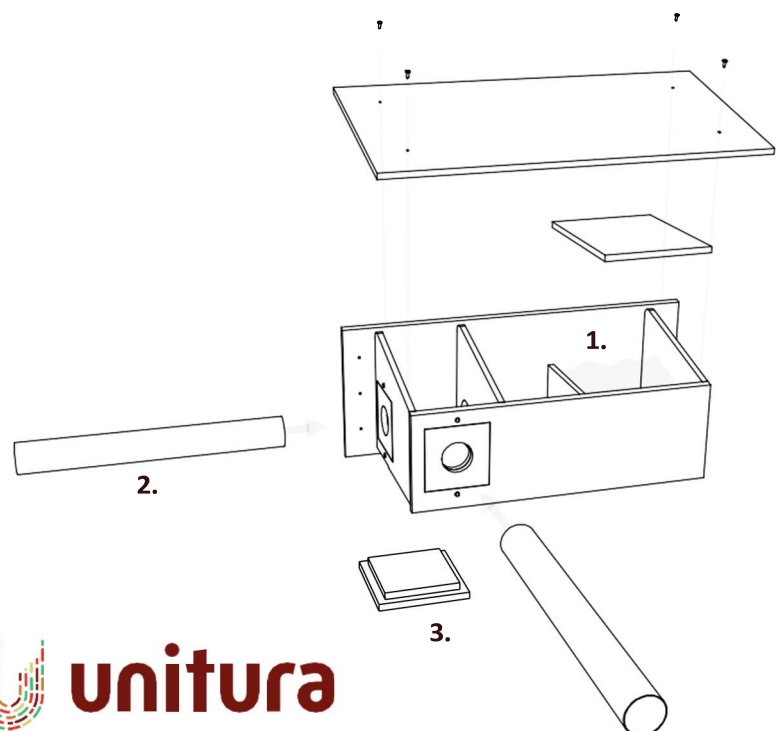
### 1 Placement: Mustelids use edges as routes. These may be building edges such as gutters, downpipes and flat roofs.

They may also be hedges and ditches. Place the beech marten provision in a logical position along a continuous structure for the best chance of success.



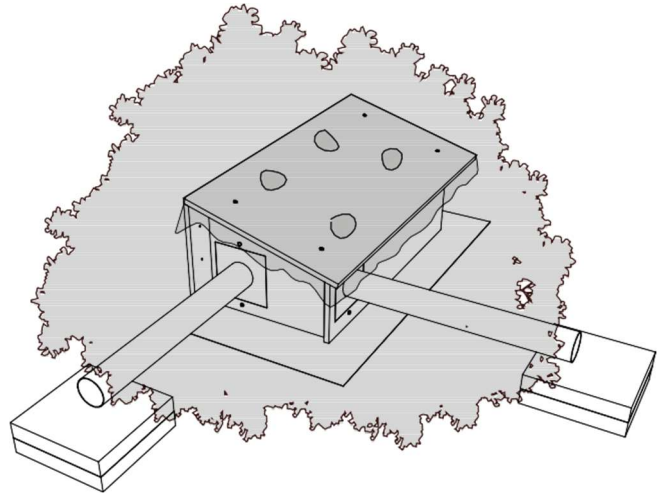
### 2 Assembly:

1. Unscrew the roof and place some hay or another equivalent insulating material.
2. Slide the PVC tubes into the openings.
3. If one PVC tube is chosen as the opening, for example for safety reasons, close the other opening with the insert panel.



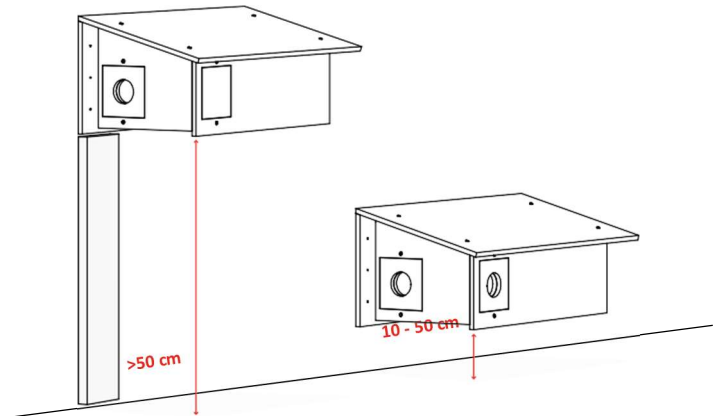
**A** Branch pile: The provision must be placed on dry ground. A suitable base can be created with a thin layer of gravel or paving slabs. Then install the PVC tubes. Optionally cover the box with a piece of tarp for extra protection. Cover the provision with leaves and branches until a large protective pile has been created. Ensure that both openings on the sides of the provision remain clear.

Optionally place paving slabs under the entrance to the PVC tubes to prevent overgrowth.

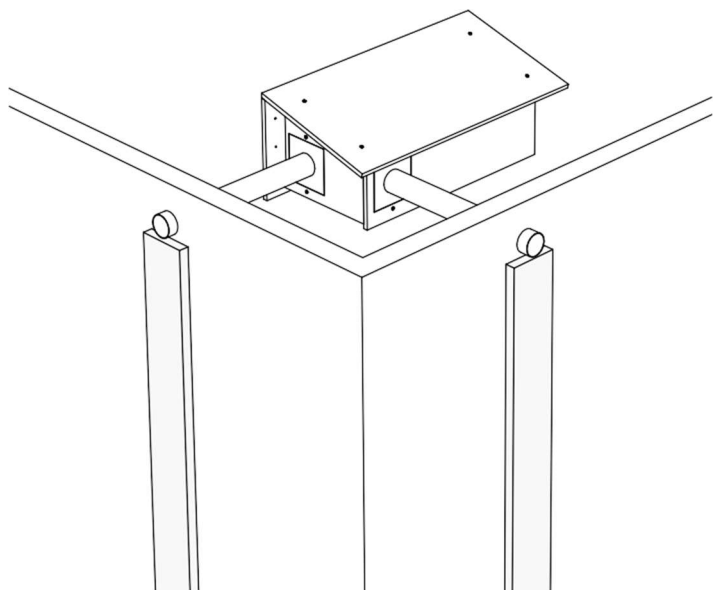


**B** Facade: Install the provision on the facade through the screw holes in the rear panel of the box\*. A position 10 to 50 cm above a flat roof is particularly suitable. The box can also be installed higher, but an additional access route must then be created using a rough post. When installed on the wall, one of the openings in the entrance chamber may be closed to prevent unnecessary draught. A layer of hay may optionally be placed in the maternity chamber.

\*Access post and fixings for facade installation are not supplied.



**C** Attic: Quiet attics or sheds are particularly suitable for installing the provision. Place the box along a wall. Ensure good access to the box. If required, the tubes can also be used to make the box accessible only from outside, so that beech martens cannot move through the entire space.





### **Project-specific requirements and the Dutch Decree on Buildings in the Living Environment (Bbl)**

Project-specific requirements and the guidelines of the Dutch Decree on Buildings in the Living Environment (Bbl) must be followed at all times.



### **Construction**

Specific situations, building systems or prefabricated structures must always be handled in consultation with, and on the advice of, the manufacturer and the project-specific consultant. This includes advice on construction, fire safety and building physics.



### **Inspection and repair**

Check for any damage to and around the provision. Repair any damage.