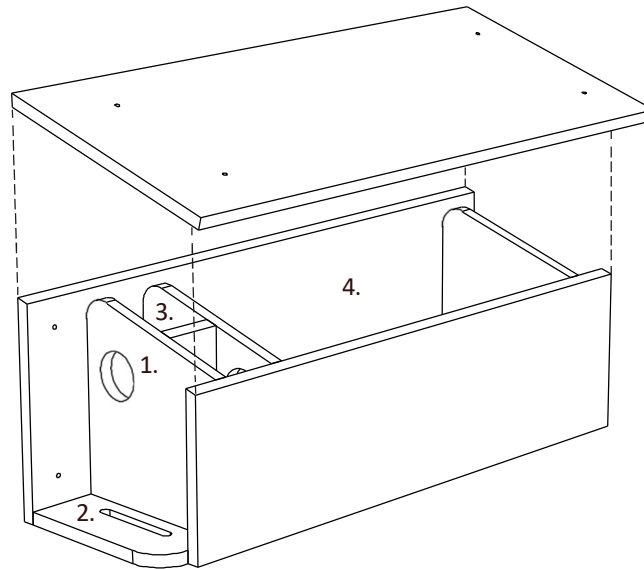


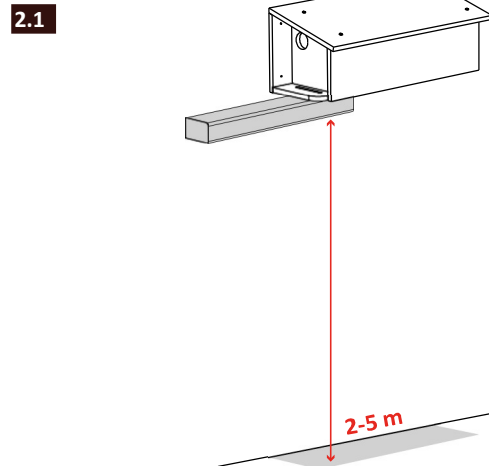
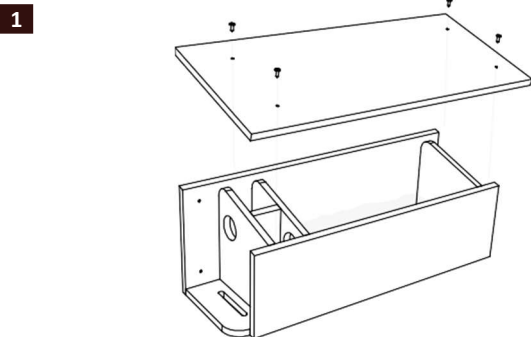
SULT1 | Little owl nest box



- 1. Entrance hole
- 2. Perch board
- 3. Marten baffle
- 4. Nesting compartment

Type	No.	Material	Weight	Dimensions (L x W x H)	Required materials (not supplied)
Little owl nest box	SULT1	Water-resistant plywood 18 mm	13 kg	85 x 37 x 33 cm	Fixings, wood shavings (4 cm layer)

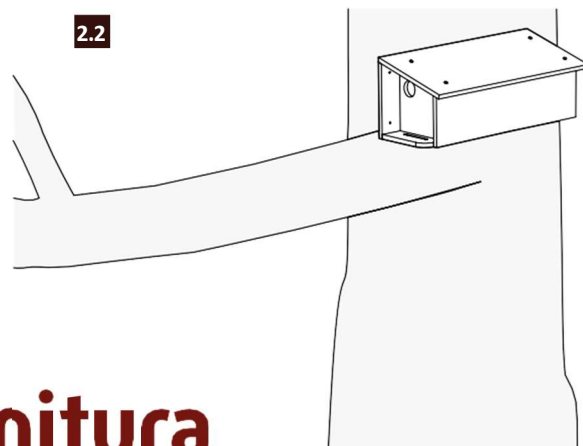
Installation instructions



1 Floor covering: before installation, add a layer of fine wood shavings* to the nest box. A layer of approximately 4 cm is sufficient.

2 Placement: install the little owl nest box in a sheltered location on a wall (2.1) or in a tree (2.2). A height of 2 to 5 m is ideal. Install the box using the fixing points in the rear panel of the box, or use angle brackets*. Provide a branch or beam in front of the entrance hole so that young animals can easily walk out of the box.

*not supplied





Project-specific requirements and the Dutch Decree on Buildings in the Living Environment (Bbl)

Project-specific requirements and the guidelines of the Dutch Decree on Buildings in the Living Environment (Bbl) must be followed at all times.



Construction

Specific situations, building systems or prefabricated structures must always be handled in consultation with, and on the advice of, the manufacturer and the project-specific consultant. This includes advice on construction, fire safety and building physics.



Inspection and repair

Check for any damage to and around the provision. Repair any damage.